

AYRTON
AIR CONDITIONING

AYD-20

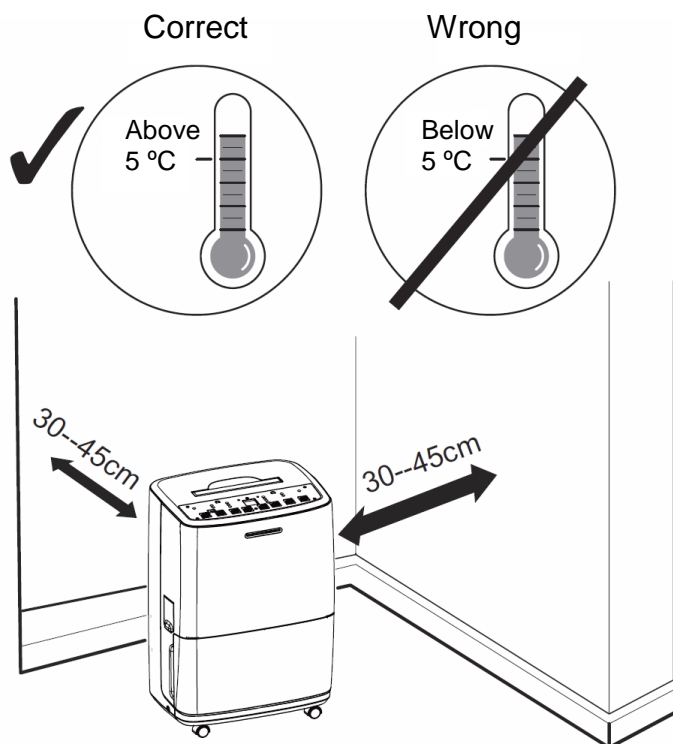
Dehumidifier

User manual

Original

Operation Area

- This dehumidifier is intended for indoor residential applications only. It should not be used for commercial or industrial applications.
- Place the dehumidifier on a smooth and level floor.
- A dehumidifier operating indoor will have no effect in drying an adjacent enclosed area, such as a closet.
- Place the dehumidifier in an area where the temperature will not be below 5 °C or above 32 °C.
- Allow at least 30–45cm of air space on all sides of the unit.
- Close all doors, windows and other outside openings of the room to improve the working effect.
- Please keep the air inlet / outlet clean and not blocked.
- Do not use a dehumidifier in a bathroom.
- Avoid direct sunlight.



Note:

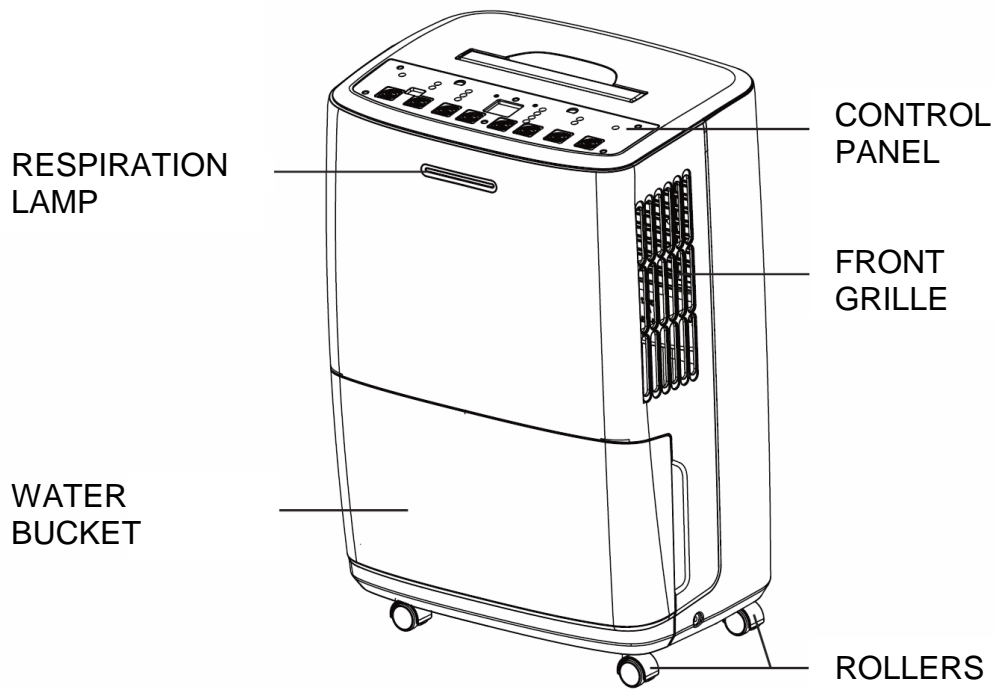
The dehumidifier has rollers to aid placement. Do not attempt to roll the dehumidifier on carpet or over objects. Otherwise, water may spill out from the bucket or the dehumidifier may get stuck by the objects.

Safety Precautions

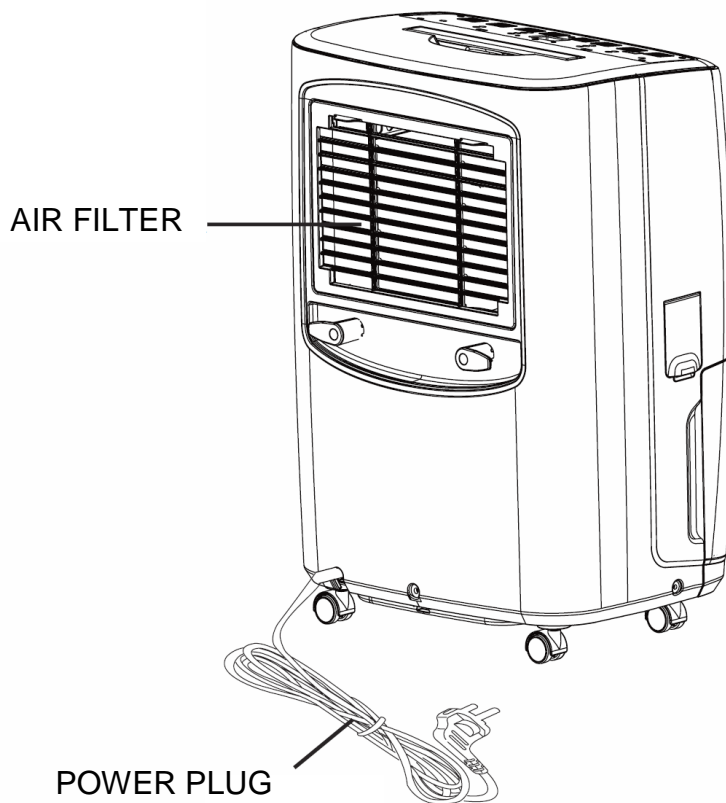
- This appliance can be used by children aged from 8 years and above and persons with reduced physical, sensory or mental capabilities or lack of experience and knowledge if they have been given supervision or instruction concerning use of the appliance in a safe way and understand the hazards involved.
- Before operation, please check the power cord if it complies with the requirement indicated on the nameplate.
- Before cleaning, please turn it off and unplug the dehumidifier.
- Make sure the power cord is not pressed by any hard object.
- Do not remove the power plug or move unit by pulling the power cord.
- Do not use any heating application near the dehumidifier.
- Do not remove the power plug in wet hands.
- Please use grounded power cord and make sure it's well connected and not damaged.
- Children and disabled people are not allowed to use the dehumidifier without supervision.
- Children shall not play with the appliance.
- Keep children from playing or climbing on the dehumidifier.
- Do not place the dehumidifier under dripping objects.
- Memory function is included in this dehumidifier. When nobody is taking care of the unit, please turn it off and remove the power plug or disconnect power.
- Do not repair or disassemble the unit by yourself.
- If the supply cord is damaged, it must be replaced by the manufacturer, its service agent or similarly qualified persons in order to avoid a hazard.
- Cleaning and user maintenance shall not be made by children without supervision.
- If abnormal condition occurs (e.g. burned smell), please disconnect power at once and then contact local dealer.
- Dehumidifier can not be disposed of everywhere. If you want to get rid of this dehumidifier, please check with local handling disposal or information service center about what to do.
- Instructions for cord-connected room air conditioners shall include manufacture's recommendations regarding the use of cord sets(extension cords). If use of an extension cord is not recommended, the instructions shall state this. Recommendations for an extension cord shall specify at least the use of a cord set with an equipment grounding conductor grounding-type attachment plug, and grounding-type connector(load fitting); and the amp city and voltage rating of the cord set.

Parts Name

Front Side

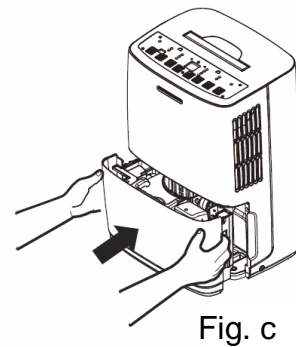
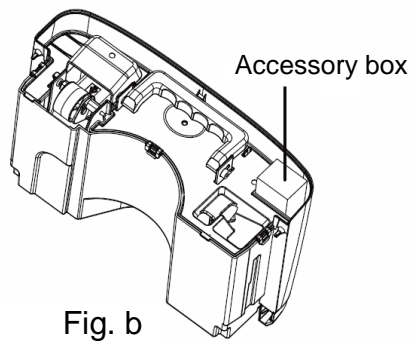
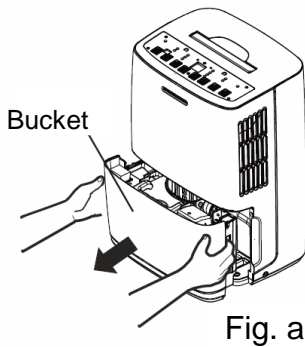


Back Side

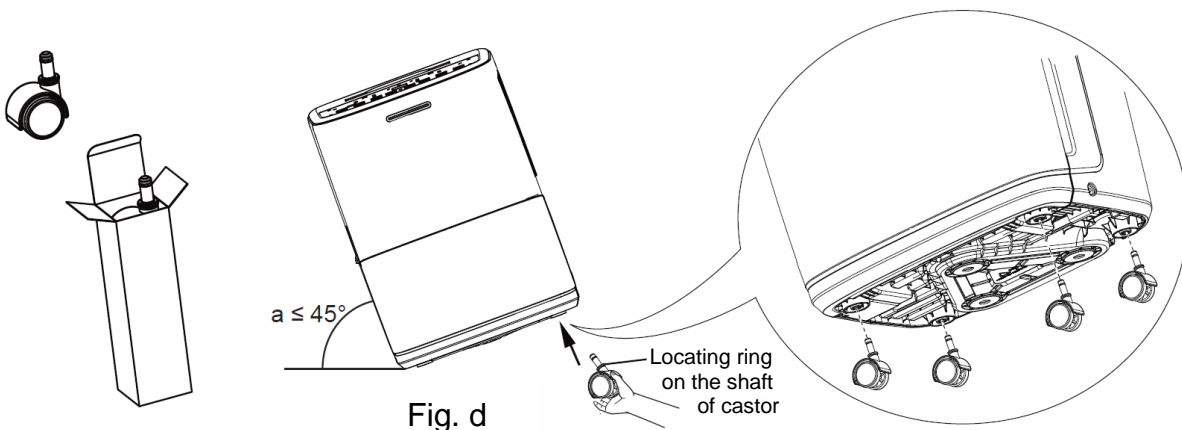


Instruction of Caster Wheel

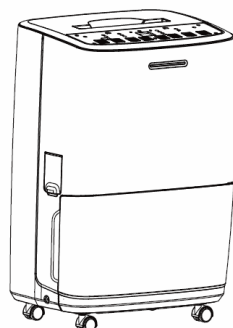
1. Nip the groove at both sides of bucket and pull the bucket out by the arrow shown direction. (As shown in fig.a)
2. Take out accessory box (there are 4 castors).
3. Refit the bucket by the arrow shown direction, then the unit is ready to be electrified and turned on. (As shown in fig.c)



4. Take out 4 castors from accessory box.
5. Tilt the dehumidifier no more than 45° . Aim the shaft of castor at the installation hole on chassis, and then forcibly push the castor upward to let the locating ring on the shaft of castor stick together with the side face of installation hole. (refer to Fig.d)



6. Install the 4 caster wheels on the dehumidifier.



NOTE:

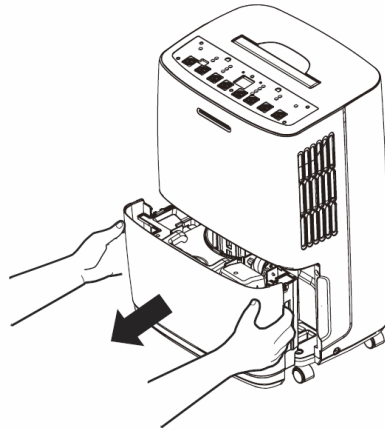
1. Keep the dehumidifier balance during installation incase the dehumidifier falls.
2. Four castor wheels must be installed well before operating the unit.

Check Before Operation

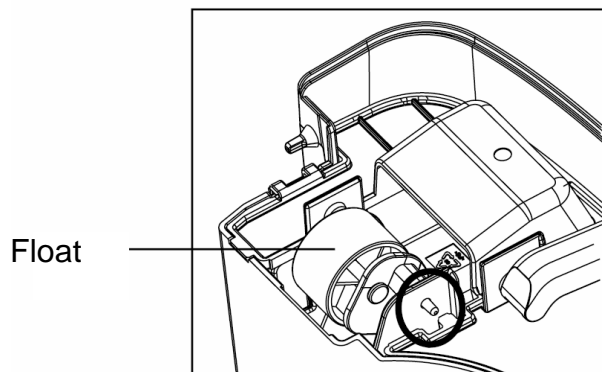
Before operation, please first check whether float is properly placed.

Below are the checking steps:

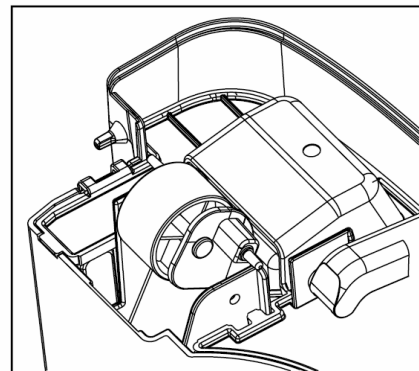
1. Hold the handles on both sides of the water bucket and pull it out following the arrow direction.



2. Check whether float in the water bucket is properly placed. It might have been moved a little after long-time transportation. If it's not placed properly, move it to the correct position by hand.



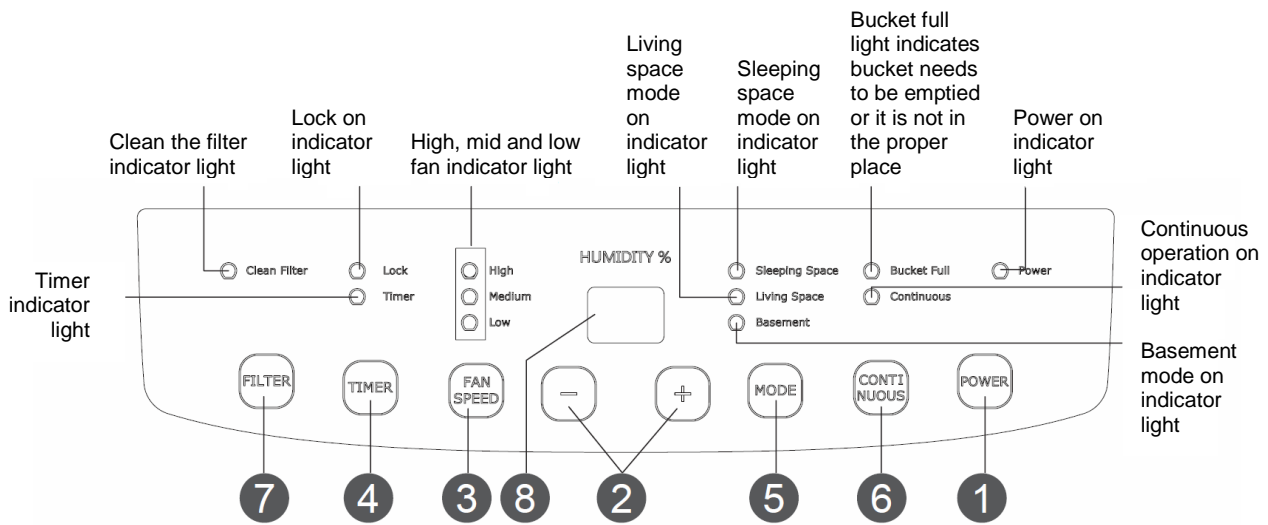
Correct Position



Wrong Position

3. Replace the bucket as instructed in step 1.

Operation Method



Notes:

- Water bucket must be correctly installed for the dehumidifier to operate.
- Do not remove the bucket while unit is in operation.
- If you want to use drain hose to drain water away, please install the hose according to section "Drainage method".
- Each time pressing the effective button on the control panel will give out a "beep" sound.
- When power is connected, power indicator on the control panel will be on and dehumidifier gives out a "beep" sound simultaneously.

Basic Functions of the Buttons

1

POWER Button

Press this button to turn on / off dehumidifier.

2

+/- Button

Under free drying mode press these buttons to adjust set humidity. Invalid under other modes.

- Pressing + button will increase humidity while pressing - button will decrease humidity. The display range of humidity is 35%~80%. Each pressing will increase/decrease humidity by 5%.
- When setting Timer On or Timer Off, press these buttons to adjust time. For specific details, please refer to Timer Button description below.
- When unit is in operation, holding + and - button simultaneously for 3s can

lock buttons. If this function is turned on, Button Locked Indicator will be on and display window shows LC, which will blink for 3 times. Then ambient humidity is displayed again. To turn off this function, hold + and - button simultaneously for 3s and the indicator will be off.

3 FAN SPEED Button

Pressing this button can set fan speed circularly as: High, Medium, Low. Corresponding indicator will be on for each fan speed.

4 TIMER Button

Press this button to set Timer On or Timer Off (Timing range 0.5~24h).

- Set Timer Off:
When unit is on, press this button and the Timer Indicator will be blink while display window will show the timing figure. Pressing + or – button each time will increase or decrease the time by 0.5h or 1h (When figure varies within 10h, pressing +/- button will increase/decrease the time by 0.5h; when figure varies from 10h to 24h, pressing +/- button will increase/decrease the time by 1h). When time is set, wait for 5s or press this button to turn this function on. Timing Indicator will be on.
- Cancel Timer Off:
Under the condition that this function is turned on, press this button to cancel it. Timing Indicator will be off.
- Set Timer On:
When unit is off, press this button and the Timer Indicator will be blink while display window will show the timing figure. Pressing + or – button each time will increase or decrease the time by 0.5h or 1h (When figure varies within 10h, pressing +/- button will increase/decrease the time by 0.5h; when figure varies from 10h to 24h, pressing +/- button will increase/decrease the time by 1h). When time is set, wait for 5s or press this button to turn this function on. Timing Indicator will be on.
- Cancel Timer On:
Under the condition that this function is turned on, press this button to cancel it. Timing Indicator will be off.
- Timing range: 0.5~24 hours.

5 MODE Button

Press this button to select different kinds of working mode. After each pressing of this button, mode will switch among free drying, sleeping space, living space, basement and continuous drying modes, and the corresponding mode indicator will ON. When free drying, all mode indicators are OFF.

6 CONTINUOUS button

Press this button to set continuous dehumidify.

Note: When selecting CO mode, drain hose has to be installed. Otherwise, unit will stop when water bucket is full.

7 FILTER Button

Press this button to turn off Filter Cleaning Indicator. (When dehumidifier has been operating for 250 hours, Filter Cleaning Indicator will be lit up to remind user of filter cleaning.)

Other Instructions

1. Alarm Warning

If bucket is full or not locked into place for over 3min, buzzer will go off for 10s to remind you to empty bucket or put it back into the correct place.

2. Auto Stop

When bucket is full, removed or not placed correctly or the humidity is 5% lower than the set humidity, unit will automatically stop.

3. Memory Function

If power is lost, all of the control settings are remembered. So when power is restored, the unit will start back up in the settings it was in when power was lost.

4. Bucket full light

This indicates that bucket is full or removed or not placed correctly.

5. Clean the Filter On indicator light

When dehumidifier has been operating for 250 hours, Filter Cleaning Indicator will be lit up to remind user of filter cleaning.

6. Respiration Lamp

This lamp will continually blink to show the bucket is full, removed or not placed correctly.

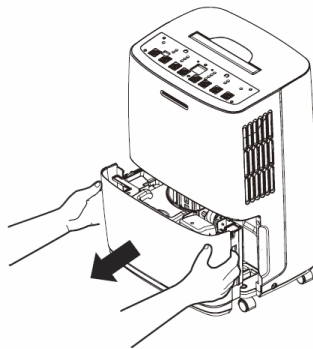
Drainage Option

Option 1: Emptying Manually

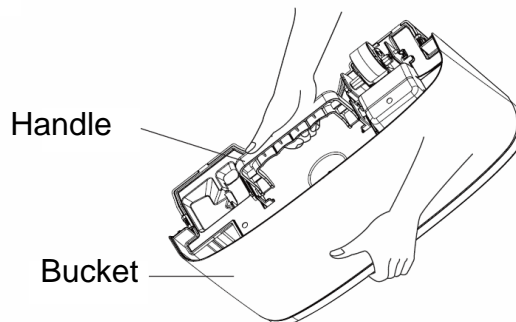
Notes:

- Do not remove the bucket when unit is in operation or has just stopped. Otherwise it may cause some water to drip on the floor.
- Do not use the hose if using water bucket to collect water. When the hose is connected, water will be drained out through it instead of into the bucket.

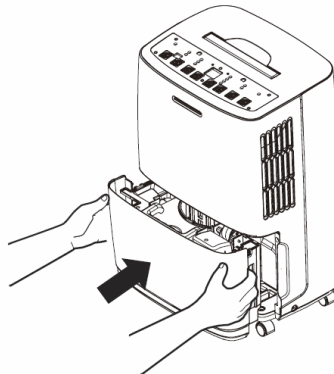
1. Hold the handles on both sides of the water bucket and pull it out following the arrow direction. (Attention: Pull out the bucket carefully in case the water may spill out from the bucket and onto the floor.)



2. Empty the bucket by grasping the handle on the top of bucket with one hand and grasping the bottom of bucket with the other hand.

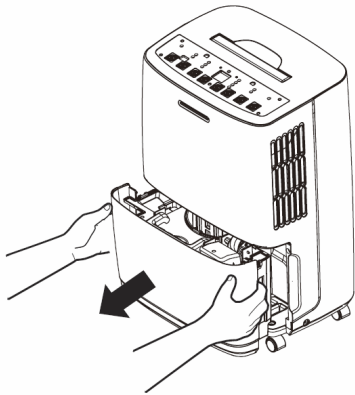


3. Replace bucket in the dehumidifier according to the arrow direction.

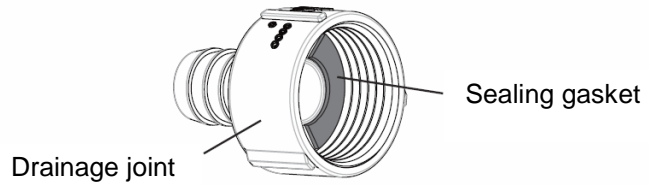


Option 2: Gravity Drain Hose

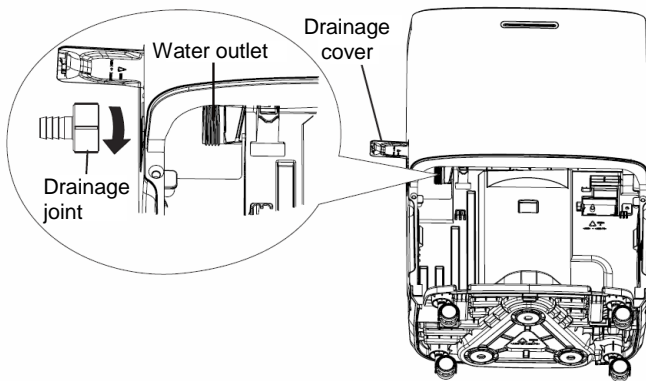
1. Hold the handles at both sides of water tank and then pull the water tank along the arrow direction.



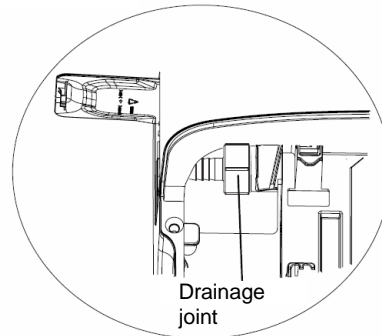
Note: The drainage joint is with sealing gasket. Before installing the drainage joint, reinstall the gasket on the drainage joint if it dropped. Otherwise, there will be water leakage phenomenon.



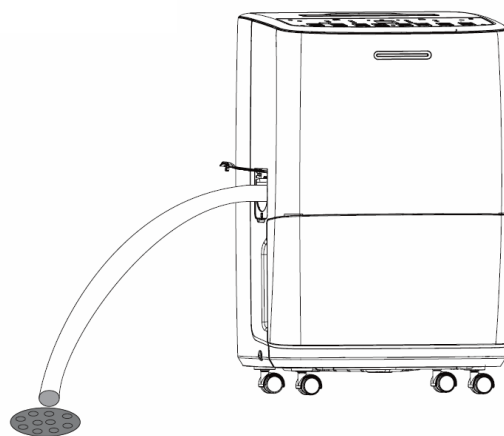
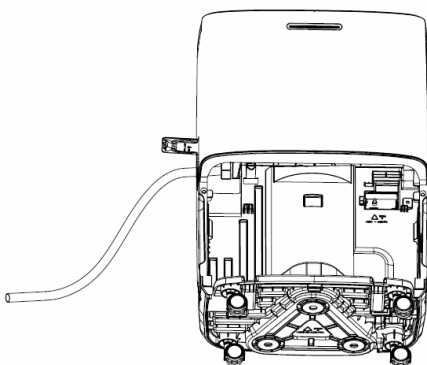
2. Open the drainage cover and then install the drainage joint on the drainage outlet tightly along the arrow direction.



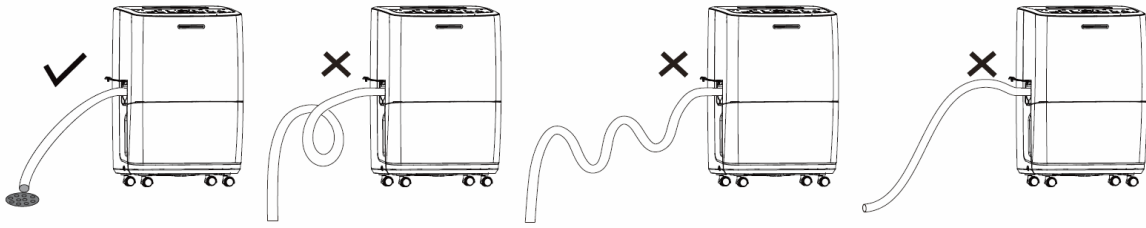
After installation:



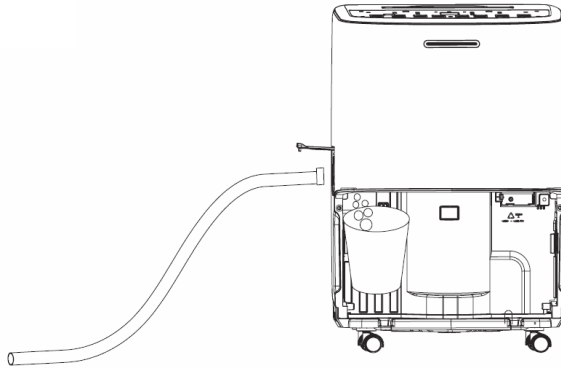
3. Insert the drainage pipe into the drainage joint and then reinstall the water tank.



4. Replace the bucket. Make sure the drain hose goes through the bucket's drain hole and is placed downward. Lead the hose to the floor drain and then cover the hole with a lid. Note that drain hose should not be pressed, otherwise water can not be drained out..



Note: When you don't use the drainage pipe, the drainage joint must be removed. Otherwise, there will be water leakage phenomenon. When you want to take off the drain hose, prepare a receptacle to collect water from the nozzle.



Clean and Maintenance

Warning:

- Before cleaning, turn off the dehumidifier and disconnect power. Otherwise it may lead to electric shock.
- Do not wash the dehumidifier with water, or it may lead to electric shock.
- Do not use volatile liquid (such as thinner or gasoline) to clean dehumidifier. Otherwise it will damage unit's appearance.

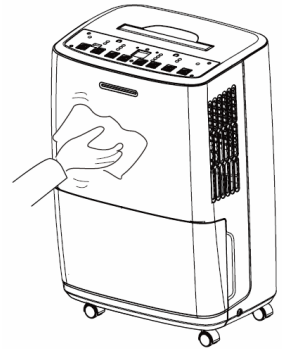
1. Grille and Case

To clean the case:

When there is dust on the case, use soft towel to dust it off; When the case is very dirty (greasy) use mild detergent to clean it.

To clean the grille:

Use a dust catcher or brush.



2. Water Bucket

Every few weeks, clean the bucket to prevent growth of mold, mildew and bacteria. Use soft brush to clean the bucket and then rinse it.

To remove:

- (1) Direct the rotor shaft of handle to the hole of buckle plate. Pull the bucket plate at the handle side by following the arrow direction. Remove the handle. (shown in Fig. 1.)
- (2) Press down 3 buckles around the water bucket. Lift up the drain lid. (shown in Fig. 2.)

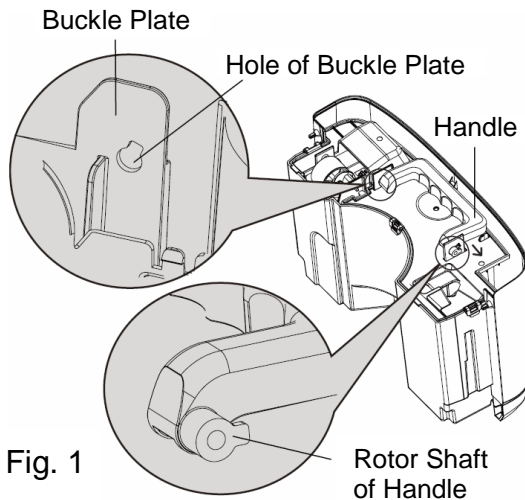


Fig. 1

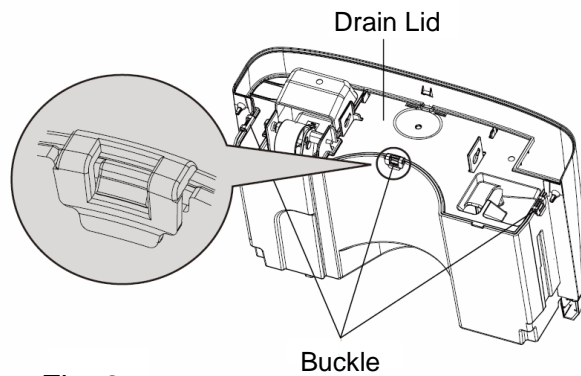
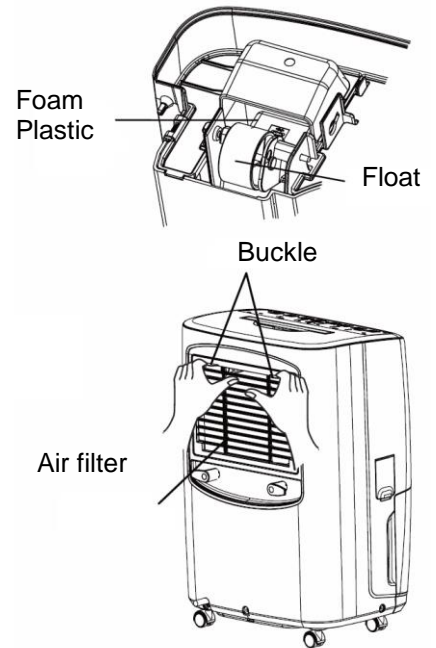


Fig. 2

- (3) After cleaning, replace the drain lid and handle and make sure the float of water bucket is placed properly. The side with foam plastic should be beneath the drain lid. Do not remove the foam plastic on the float.



3. Air Filter

Dehumidifier will remind you to clean the air filter when it has been operating for 250 hours. If it is used in dusty places, clean the air filter more often.

To remove: Pull the buckles and pull out the filter.

To clean: Clean the filter in warm, soapy water. Rinse it and let the filter dry before replacing it.

Warning:

- Do not operate the dehumidifier without a filter. Otherwise the evaporator will catch dust and affect unit's performance.
- Do not dry the air filter with fire or electric hair dryer. Otherwise the air filter may be unshaped or caught on fire.
- Don't use dust catcher or brush to clean the air filter. Otherwise the air filter may be destroyed.

Check Before Use-season

- Check whether air outlet is blocked.
- Check whether power plug and power socket are in good condition.
- Check whether air filter is clean.
- Check whether drain hose is damaged.

Care After Use-season

- Disconnect power.
- Clean air filter and case.
- Clean dust and obstacle of the dehumidifier.
- Empty the water bucket.

Long-time Storage

If you won't use the dehumidifier for a long time, we suggest that you follow the steps below in order to maintain the unit in good condition.

- Make sure the bucket is clear of water and drain hose is removed.
- Unplug the dehumidifier and pack the power cord.
- Clean the unit and wrap it well to prevent the gathering of dust.

Troubleshooting

- Not all the following problems are malfunctions.

Problem	Possible Causes
Dehumidifier is not operating. Controls can not be set.	<ul style="list-style-type: none"> • Unit is operating in an area where temperature is higher than 32 °C or lower than 5 °C. • Bucket is full.
Noise suddenly rises during operation.	<ul style="list-style-type: none"> • Noise will rise if compressor has just started. • Power supply problem. • Unit is placed on uneven floor.
Humidity does not drop.	<ul style="list-style-type: none"> • Area to be dehumidified is too large. The capacity of your dehumidifier may not be adequate. • Doors are open. • There might be some device product vapor in the room. • Room temperature is too low. • Humidity level may be improperly set. • If unit is operating in a room where temperature is from 5 to 15 °C, it will start to defrost automatically. Compressor will stop for a brief period of time (fan will operate in high fan speed). When unit finishes defrosting, it will be back to normal operation.
When first operated, the air emitted has musty-odor..	<ul style="list-style-type: none"> • Due to temperature rising of heat exchanger, the air may have some strange smell at the beginning.
Unit has noises.	<ul style="list-style-type: none"> • There might be some noise if unit is operating on wooden floor.
Swooshing sound is heard.	<ul style="list-style-type: none"> • Normal. This is the sound of the flow of refrigerant.

- Problem of Water Leakage.

Problem	Possible Causes	Solution
When using drain hose, there is water in the bucket.	<ul style="list-style-type: none"> • Examine the drainage joint. 	<ul style="list-style-type: none"> • Connect the drainage joint well.
	<ul style="list-style-type: none"> • Drain hose is not correctly installed. 	<ul style="list-style-type: none"> • Clear the obstacle from the drain hose.
	<ul style="list-style-type: none"> • Drain hose is not correctly installed. 	<ul style="list-style-type: none"> • Remove the drain hose and replace it. Be sure that the hose is correctly installed.

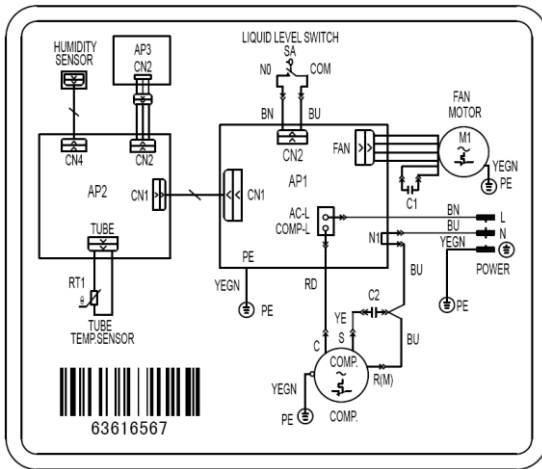
- Dehumidifier does not start.

Problem	Possible Causes	Solution
Power indicator is not lit when power is connected.	<ul style="list-style-type: none"> • Power is not supplied for the dehumidifier or the power plug is not well inserted. 	<ul style="list-style-type: none"> • Check if power is lost. If yes, wait for the power to restore. • If not, check whether the power circuit or power socket has been damaged. • Check whether power plug is loose. • Check whether power cord is damaged.
	<ul style="list-style-type: none"> • Fuse is blown. 	<ul style="list-style-type: none"> • Replace the fuse.
Bucket full indicator is lit up.	<ul style="list-style-type: none"> • Bucket is not properly placed. • Water is full in the bucket. • Bucket has been removed. 	<ul style="list-style-type: none"> • Empty the bucket and replace it.
Unit can function normally but it can not start up.	<ul style="list-style-type: none"> • Humidity is set too high. 	<ul style="list-style-type: none"> • If you want the air drier, press - button to lower the figure or press CO button for unit to dehumidify continuously.

- Dehumidifier does not dry air as intended.

Problem	Possible Causes	Solution
Bad dehumidifying performance.	<ul style="list-style-type: none"> • Check whether there is any obstacle around the unit. 	<ul style="list-style-type: none"> • Make sure there is no curtain, shutter or furniture that blocks the dehumidifier.
	<ul style="list-style-type: none"> • Air filter is dusty and blocked. 	<ul style="list-style-type: none"> • Clean the filter.
	<ul style="list-style-type: none"> • Doors and windows are left open. 	<ul style="list-style-type: none"> • Make sure all doors and windows and other opening to the outside have been closed.
	<ul style="list-style-type: none"> • Room temperature is too low. 	<ul style="list-style-type: none"> • Warm temperature is good for dehumidification. Low temperature will reduce unit's working effect. This unit should be working in a place where temperature is above 5°C.

WIRING DIAGRAM



BK	Black
BN	Brown
BU	Blue
Fan motor	
Humidity sensor	
PE	Grounding cable
Power	
Room tem. sensor	
Tube tem. sensor	
Water switch	
YEGN	Yellow-Green

Fuse 3,15 A

TECHNICAL SPECIFICATION

Model	AYD-20
Rated Voltage	220–240 V~
Rated Frequency	50 Hz
Rated Power	340 W
Moisture Removal (at 30 °C, 27,1 °C)	20 liters/day
Operating Temperature	5–35 °C
Refrigerant (quantity)	R134a (0,13kg)
Sound pressure level / Sound power level	54 / 56 / 58 dB(A)
Weight	15,0 kg
Tank capacity	3,6 liters

Dehumidification is the value measured during continuous operation of the dehumidifier in the room at 30°C and 80% relative humidity.

Maximum power dehumidification at 30°C DB / 27,1°C WB.

DB - dry bulb
WB - wet bulb

NOTE CONCERNING PROTECTION OF ENVIRONMENT



This product must not be disposed of via normal household waste after its service life, but must be taken to a collection station for the recycling of electrical and electronic devices. The symbol on the product, the operating instructions or the packaging indicate such disposal procedures. The materials are recyclable in accordance with their respective symbols. By means of re-use, material recycling or any other form of recycling old appliances you are making an important contribution to the protection of our environment. Please ask your local council where your nearest disposal station is located.

INFORMATION CONCERNING USED REFRIGERANT MEDIUM

This unit is containing fluorinated gases included in the Kyoto protocol. The maintenance and the liquidation must be carried out by qualified personnel.

Type of refrigerant: R134a

The composition of the cooling medium R134a: (100% HFC-134a)

The quantity of the refrigerant: please see the unit label. **Hermetically sealed system.**

The value GWP: 1430

GWP = Global Warming Potential

In case of quality problem or other please contact your local supplier or authorized service center.

Emergency number: 112

PRODUCER

Producer: SINCLAIR CORPORATION Ltd., 1-4 Argyll St., London W1F 7LD, UK, www.sinclair-world.com

This product was manufactured in China (Made in China).

REPRESENTATIVE, TECHNICAL SUPPORT

SINCLAIR Global Group s.r.o.

Purkyňova 45

612 00 Brno

Czech Republic

Tel.: +420 541 590 140

Fax: +420 541 590 124

www.ayrton-world.com

info@ayrton-world.com

