



**AYRTON**  
AIR CONDITIONING

---

**AYM-12**

Local air conditioner

User manual  
Ver.6-4-2016

1. The appliance shall not be installed in the laundry.
2. If the supply cord is damaged, it must be replaced by the manufacturer or its service agent or a similarly qualified person in order to avoid a hazard”
3. The appliance must be positioned so that the plug is accessible.
4. The appliance shall be installed in accordance with national wiring regulations
5. R410A(R32/125: 50/50): 2087.5
6. The appliance is for indoor use only.



DISPOSAL: Do not dispose this product as unsorted municipal waste. Collection of such waste separately for special treatment is necessary.

The graphic in this instruction manual is only the diagrammatic sketch, please refer to the actual product.

## Safety warning

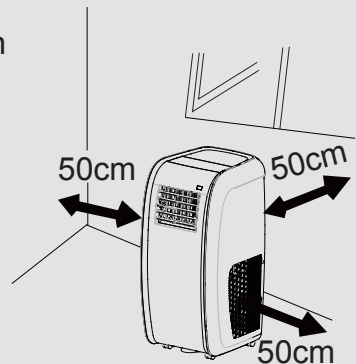
- This appliance can be used by children aged from 8 years and above and persons with reduced physical, sensory or mental capabilities or lack of experience and knowledge if they have been given supervision or instruction concerning use of the appliance in a safe way and understand the hazards involved. Children shall not play with the appliance. Cleaning and user maintenance shall not be made by children without supervision.
- Before operation, please confirm whether power specification complies with that on nameplate.
- Before cleaning or maintaining the air conditioner, please turn off air conditioner and pull out the power plug.
- Make sure the power cord hasn't been pressed by hard objects.
- Do not pull or drag the power cord to pull out the power plug or move the air conditioner.
- Do not insert or pull out the power plug with wet hands.
- Please use the grounded power. Make sure the grounding is reliable.
- If the power cord is damaged, it must be replaced by manufacturer or professional person.
- If abnormal condition occurs (e.g. burned smell), please disconnect power at once and then contact local dealer.
- When nobody is taking care of the unit, please turn it off and remove the power plug or disconnect power.
- Do not splash or pour water on air conditioner. Otherwise, it may cause short circuit or damage to air conditioner.
- If use drainage hose, nearby temperature can't lower than 0°C. Otherwise, it will cause water leakage to air conditioner.
- Prohibit operating heating equipment around the air conditioner.
- Far away from fire source, inflammable and explosive objects.
- Children and disabled people are not allowed to use the dehumidifier without supervision

## Safety warning

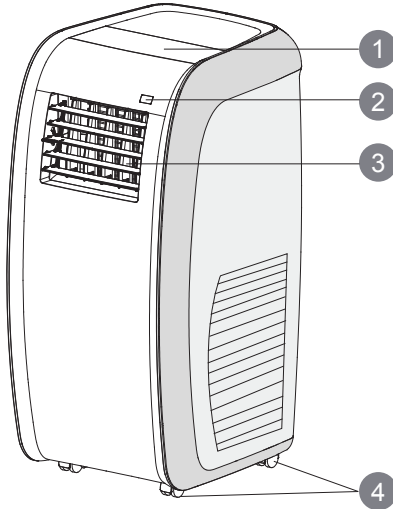
- Keep children from playing or climbing on the air conditioner.
- Do not put or hang dripping objects above the air conditioner.
- Do not repair or disassemble the air conditioner by yourself.
- Prohibit inserting any objects into the air conditioner.

## Operation environment

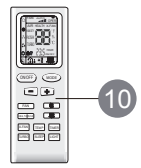
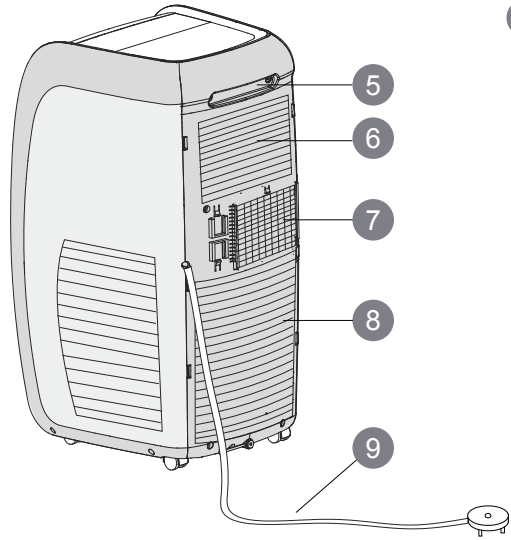
- The air conditioner must be operated with in the temperature range: 16°C ~ 35°C.
- The appliance is for indoor use only.
- The appliance must be positioned so that the plug is accessible.
- This air conditioner can only be used for family, not for commercial industry.
- Reserved space around the air conditioner should be 12"(50cm) at least.
- Do not operate the air conditioner at humid environment.
- Please keep air inlet and air outlet clean, no obstacles.
- During operation, close doors and windows to improve cooling effect.
- Please put the air conditioner at smooth and flat ground for operation to avoid noise and vibration.
- This air conditioner is equipped with castors. Castors should slide at smooth and flat ground.
- Prohibit inclining or turn over the air conditioner. If there's abnormality, please disconnect power immediately and contact dealer.
- Avoid direct sunshine.



# Part's Name



- 1 Display Board
- 2 Remote control receptor
- 3 Air outlet
- 4 Castor
- 5 Handle
- 6 Upper air inlet grille
- 7 Heat air exhaust vent
- 8 Lower air inlet grille
- 9 Power cord
- 10 Remote controller



**NOTICE:**  
Heat-removal pipe and other installation accessories can't be discarded.

















































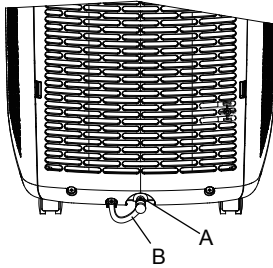


# Installation of drainage hose

- Install of drainage hose(as shown in following figure):

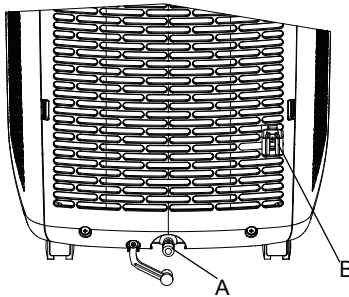
Note: Drainage hose must be installed before using otherwise block of drain may occur and affects normal run of unit.

1. Remove drain cap from drain port.



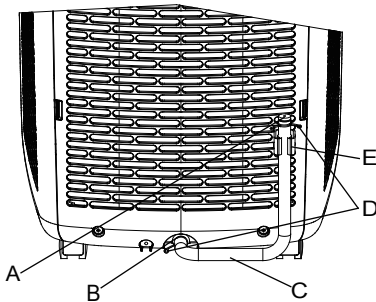
- A. Drain port
- B. Drain cap

2. Attach the drain hose clamp to the back panel of the air conditioner near the drain port with the screw provided.



- A. Drain port
- B. Attach drain hose clamp with screw provided.

3. Attach one end of the drain hose to the drain port with the clip. See Drain Hose graphic.
4. Insert the rubber plug into the other end of the drain hose and secure with clip. See Drain Hose graphic.
5. Snap the free end of het drain hose into the drain hose clamp.



- A. Rubber plug
- B. Drain port
- C. Drain hose
- D. Drain hose clips
- E. Drain hose clamp



## **PRODUCER**

SINCLAIR CORPORATION Ltd.

1-4 Argyll St.

LONDON

W1F 7LD

United Kingdom

[www.sinclair-world.com](http://www.sinclair-world.com)

The device was made in China (Made in China).

## **REPRESENTATIVE, SERVICE**

SINCLAIR Global Group s.r.o.

Purkyňova 45

Brno

612 00

Czech republic

Phone - sales: +420 541 590 140

Phone - service: +420 541 590 150

[www.ayrton-world.com](http://www.ayrton-world.com)

[info@ayrton-world.com](mailto:info@ayrton-world.com)



CE